

# G3

SERIES

## G3 4-5t

G3 series internal combustion counterbalanced forklift



### Operating comfort

- > The switch type electronic parking brake improves the convenience of parking brake operation.
- > Lower height of balance weight and reasonable rear angle improves rear view.
- > Horn and handle for reversing is equipped and thus operator's comfort is improved.
- > Infinitely variable speeds and stable operation is realized through using of dual guide wheel transmission box.

### excellence & reliability

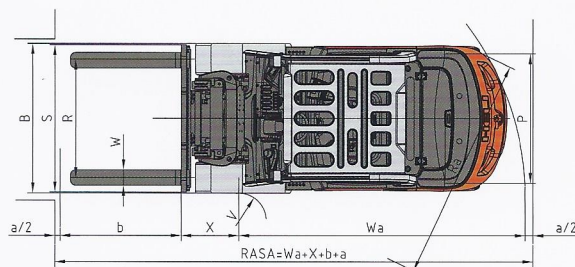
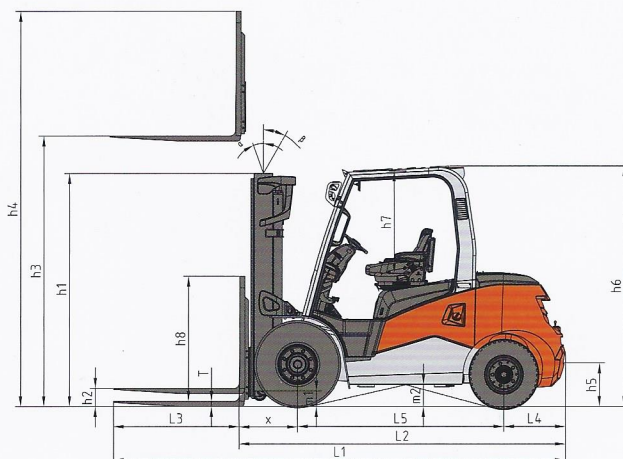
- > Optimized air induction type cooling system with enlarged aluminum fin type radiator improves cooling performance and ensures optimum working temperature of engine, transmission box and so on.
- > With maintenance free wet type brake, truck brake performance is improved.
- > A full set of LED lights is equipped on the truck. The intelligent instrument with 4.3 inches liquid crystal display monitors truck overall conditions.

### Safety

- > OPS system for travelling (standard) and for lifting(optional) ensure operation safety.
- > The balanceweight adopts special structure and thus the center of gravity of the truck is lowered and truck lateral stability is improved.
- > Closed type electronic parking brake protects the parking brake from wearing.
- > The truck has anti-engine restart function.

### Maintainability & Enviroment friendliness & Energy saving

- > The opening angle of engine hood reaches to 80° and it is convinient for maintenance.
- > DEUTZ TCD3.6 engine is adopted and it meets the requirement of EU stage IIIB and EPA tier 4F emission standard.
- > Optimized hydraulic system reduces pressure loss and it effectively reduce truck fuel consumption.



Characteristic						
1.01	Manufacturer			<b>HELI</b>		
1.02	Model			CPCD40-DE1G3	CPCD45-DE1G3	CPCD50-DE1G3
1.03	Load Capacity		kg	4000	4500	5000
1.04	Load Centre		mm	600		
1.05	Power Type			Diesel		
1.06	Driving Style			Seated		
2.01	Front Tire			300-15-20PR		
Dimension Parameter						
3.01	Lifting Height(standard)	H	mm	3000		
3.02	Mast Tilt(fwd/bwd)	$\alpha/\beta$	deg	6/12		
3.03	Min.Turning Radius	Wa	mm	2835	2880	2940
3.04	Overall Length(with Forks)	L	mm	4340	4385	4455
3.05	Overall Width	W1	mm	1450		
3.06	Overall Height(mast without activity)	H4	mm	2300		
3.07	Wheel Base	L1	mm	2000		
3.08	Tread(fwd/bwd)	W3/W4	mm	1150/1190		
3.09	Overhang(fwd/bwd)	L2/L4	mm	565/555	565/600	575/660
3.10	Min.Under clearance	H5	mm	150	150	150
3.11	Lateral Fork Adjustment(Outside of Forks)	W5	mm	300-1374		
3.12	Fork Length	L3	mm	1220		
3.13	Fork Width/Thickness	W/T	mm	50/150	50/150	60/150
Performance Parameter						
4.01	Lifting Speed(Loaded)		mm/s	530/560	500/520	500/520
4.02	Lowing Speed(Loaded)		mm/s	550/520		
4.03	Traveling Speed(Loaded/Unloaded)		km/h	21/23		
4.04	Max.Gradeability		%	34/21	31/21	29/21
Engine and Gearbox						
5.01	Engine Manufacturer/Model			Deutz TCD3.6L04		
5.02	Cyl. Number/Displacement		/L	4/3.6		
5.03	Rated Power/Rated Speed		Kw/rpm	55.4/2200		
5.04	Max. Torque/Rated Speed		Nm/rpm	390/1300		



**HELI** 安徽合力股份有限公司  
ANHUI HELI CO., LTD.

ADD:NO.668 Fangxing Street,Economical Development Zone,Hefei ,P.R.China  
TEL:(86 551)63639068(America); 63639258(Europe);63639358(Asia);  
63662105(Africa & Middle East);63639530(Warehouse Equipment); 63639531(Wheel loader)  
FAX:(86 551)63639966  
WEBSITE:http://www.helichina.net

AUTHORIZED DEALER